

4

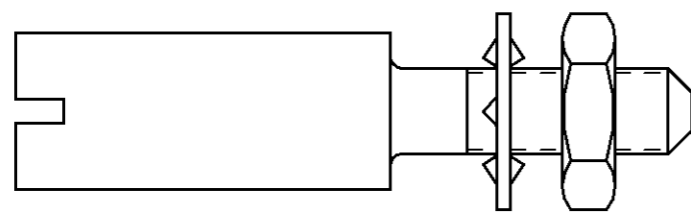
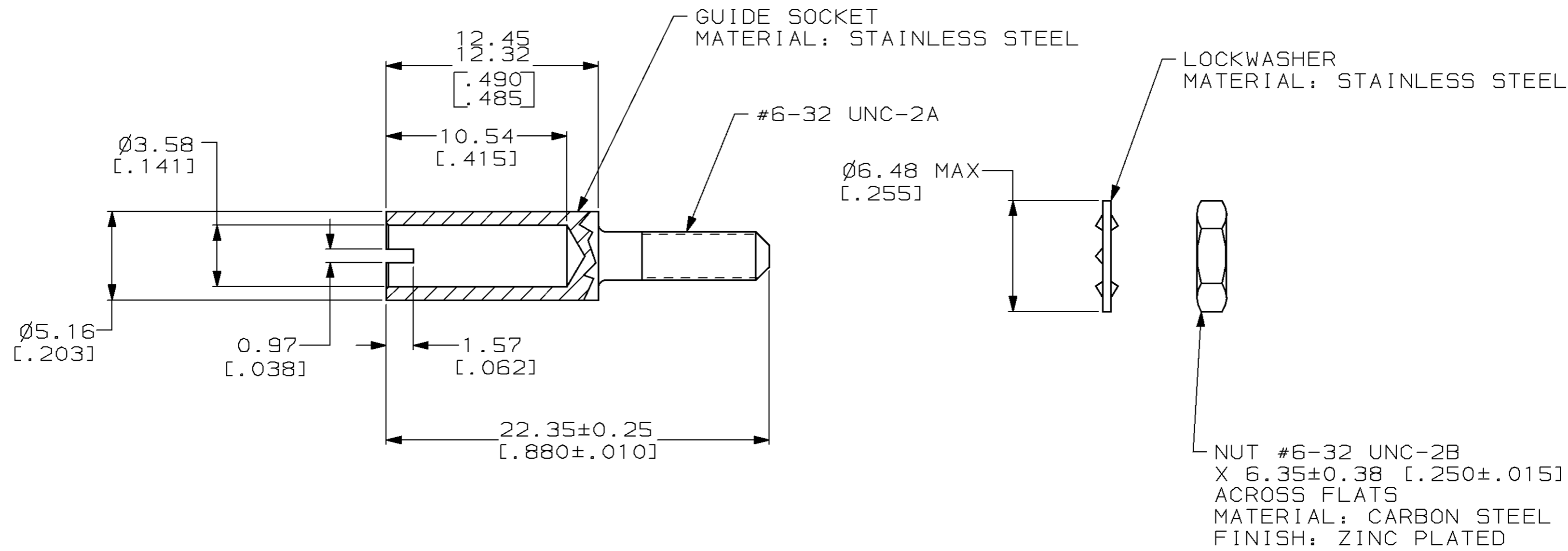
3

2

1

THIS DRAWING IS UNPUBLISHED. RELEASED FOR PUBLICATION ,19 .
© COPYRIGHT 19 BY AMP INCORPORATED. ALL RIGHTS RESERVED.

LOC	DIST	REVISIONS			
P	LTR	DESCRIPTION	DATE	DWN	APVD
FT	8				
	H	REDRAWN W/O CHANGE PER EC 0020-287-96	03 JUN 96	-	-



ASSEMBLED VIEW

203966-1

PART NUMBER

THIS DRAWING IS A CONTROLLED DOCUMENT.		DWN B. CARBO 03 JUN 96	AMP AMP Incorporated Harrisburg, PA 17105-3608
		CHK R. STONE 18 JUL 96	
DIMENSIONS: mm [INCHES]		APVD G. A. STEINHAUER 24 JUL 96	NAME GUIDE SOCKET KIT, CORNER, UNASSEMBLED, MINIATURE RECTANGULAR, 75 & 104 POSITION, M SERIES
TOLERANCES UNLESS OTHERWISE SPECIFIED:		PRODUCT SPEC	SIZE A3
0 PLC ±-		APPLICATION SPEC	CAGE CODE 00779
1 PLC ±-		WEIGHT	DRAWING NO C-203966
2 PLC ±0.13 [.005]		CUSTOMER DRAWING	SCALE 4:1
3 PLC ±-			SHEET 1 OF 1
4 PLC ±-			REV H
ANGLES ±-			
MATERIAL SEE CALLOUTS	FINISH SEE CALLOUTS		